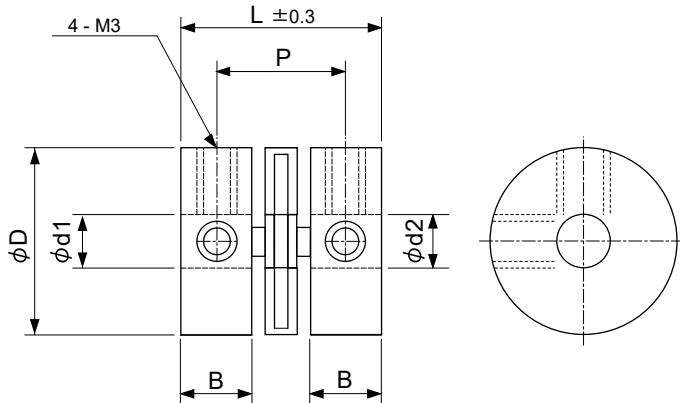


ACCESSORIES for ROTARY ENCODERS

COUPLING

● Dimensions (mm)



Model	d1	d2	D	L	P	B
C-44	4	4	14	15	9.5	5
C-46	4	6	15	16	9.8	5.5
C-55	5	5	14	15	9.8	5.2
C-56	5	6	15	16	9.8	5.5
C-66	6	6	15	16	9.8	5.5
C-68	6	8	18	18	13	5.5
C-88	8	8	18	18	13	5.5

* Please confirm the diameter of the rotating shaft and the diameter of the encoder's shaft.

● Specification

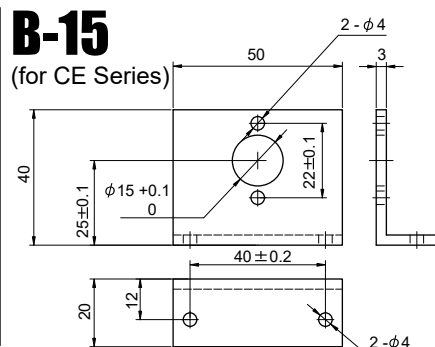
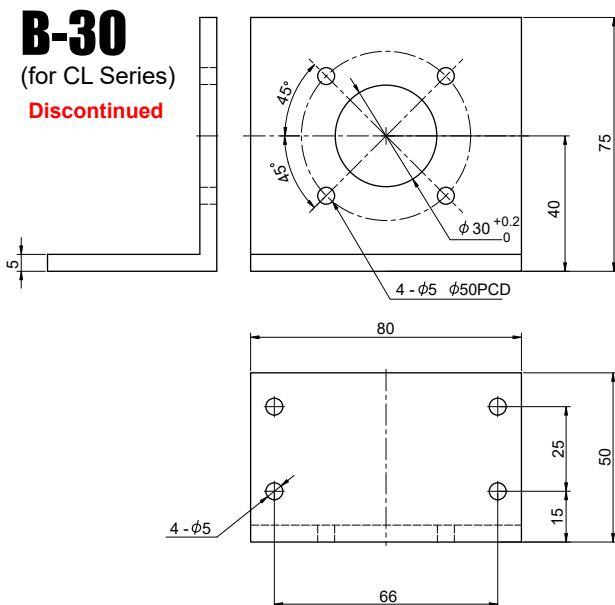
Model	Rated Torque	Curved Angle of Shaft	Setting Screw	Torque for Screw	Material	Color	Weight	
C-44	0.5 Nm	5° max	M3 x 4 4pcs	200m Nm	Polyacetal	Black	2.4g	
C-46	0.7 Nm						3.0g	
C-55	0.7 Nm						2.7g	
C-56	0.7 Nm						3.0g	
C-66	0.8 Nm						Glass Fiber Reinforced PBT	4.0g
C-68	1.0 Nm							
C-88	1.0 Nm							

* Temp.Range : -20 - +60°C

MOUNTING BRACKET

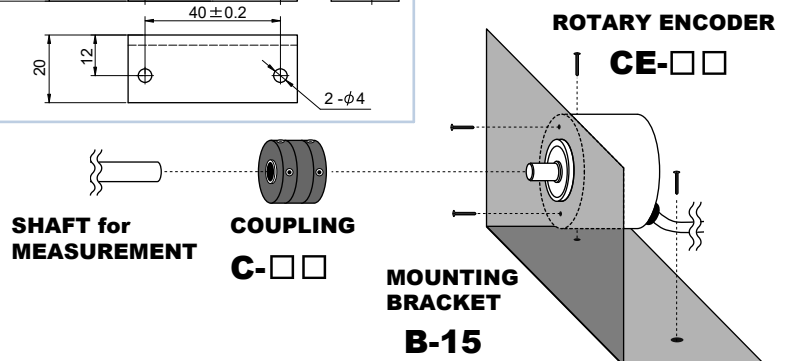
* Bracket is not used for CB Series. B-15 only used for CE Series.

● Dimensions (mm)



● Material : Aluminum

● Installation Method



This catalog was last revised Sep. 24, 2021.

*Subject to change without prior notice.

All Rights Reserved, Copyright © 2021, LINE SEIKI CO., LTD.



LINE SEIKI CO., LTD.

37-7 Chuo-cho, 2-Chome
Meguro-ku, Tokyo 152-0001 Japan
Please visit our company website for contact details
webtrade@line.co.jp
<https://www.lineseiki.com>