

KZ SERIES

■ Non-resettable Micro-mechanical Counter

KZ Series has a body of the smallest among LINE SEIKI counters: ϕ 20 mm drum-shaped housing.

This non-resettable 5-digit totalizer can cater to various applications, such as Circuit Breakers, Switchgear, Gaming Machines, and many more. When the space for mounting is extremely limited, KZ Series will be your ideal partner for counting as it fits anywhere thanks to its microminiature structure.

From 3 types, you can select the most appropriate actuation method for your own application: Revolution, Direct Drive and Ratchet.



■ Count Type

Revolution Counter

Adds 1 count for every complete revolution of the shaft.

Count Speed: 1000 revolutions / minute

Direct Drive Counter

Adds 10 counts for every complete revolution (1 count / 1/10 shaft revolution) of the shaft.



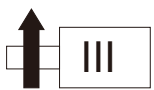

Count Speed: 100 revolutions / minute

Ratchet Counter

Adds 1 count for each 40 - 45° actuation of lever.

Count Speed: 500 counts / minute

■ Count Direction / Shaft Position

			
Right Shaft Top Going	Right Shaft Top Coming	Left Shaft Top Going	Left Shaft Top Coming

Model Selection

Type	Digits	Figures	Weight(g)	Type (I)	Type (II)	Type (III)	Type (IV)
Revolution	5	4.2mm(H)	10	KZ-105 (I)	KZ-105 (II)	KZ-105 (III)	KZ-105 (IV)
Direct Drive			10	KZ-205 (I)	KZ-205 (II)	KZ-205 (III)	KZ-205 (IV)
Ratchet			14	KZ-305 (I)	KZ-305 (II)	KZ-305 (III)	KZ-305 (IV)

Specifications

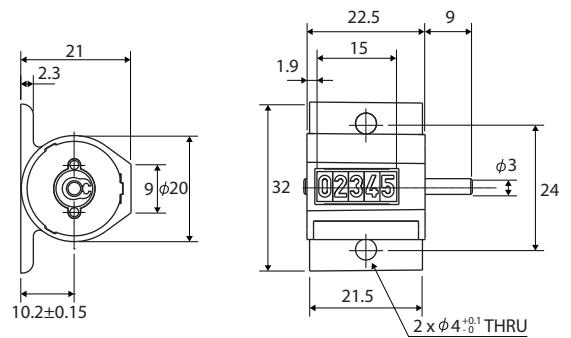
Reset	None	IP Rating	IP40	Compliance	RoHS
Operating Torque		KZ-105 KZ-205 : 0.5mN·m / KZ-305 : 10mN·m			
Operating Temperature		-5 - +40°C (Non-Freezing)	Operating Humidity		35 - 85%RH (Non-Condensing)

Dimensions

KZ-105 (I)
KZ-105 (II)
KZ-205 (I)
KZ-205 (II)



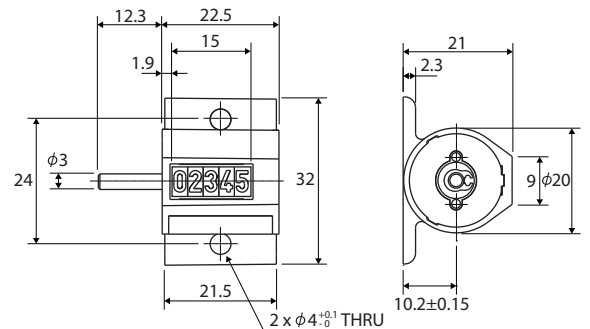
KZ-305 (I)
KZ-305 (II)



KZ-105 (III)
KZ-105 (IV)
KZ-205 (III)
KZ-205 (IV)



KZ-305 (III)
KZ-305 (IV)



Lever included in KZ-305

